

INSTALLATION MANUAL

IEC & UL version

THE DUOMAX/ DUOMAX^M PLUS⁺ MODULE

Duomax	<u>TSM-PDG40.40</u>
	<u>TSM-PDG40.47</u>
	<u>TSM-PDG5.40</u>
	<u>TSM-PDG5.47</u>
	<u>TSM-PDG14.40</u>
	<u>TSM-PDG14.47</u>
Duomax	<u>TSM-PEG40.40</u>
	<u>TSM-PEG40.47</u>
	<u>TSM-PEG5.40</u>
	<u>TSM-PEG5.47</u>
	<u>TSM-PEG14.40</u>
	<u>TSM-PEG14.47</u>
Duomax M Plus	<u>TSM-DEG40.40</u>
	<u>TSM-DEG40.47</u>
	<u>TSM-DEG5.40</u>
	<u>TSM-DEG5.47</u>
	<u>TSM-DEG14.40</u>
	<u>TSM-DEG14.47</u>
	<u>TSM-DEG40.40(II)</u>
	<u>TSM-DEG40.47(II)</u>
	<u>TSM-DEG5.40(II)</u>
	<u>TSM-DEG5.47(II)</u>
	<u>TSM-DEG14.40(II)</u>
	<u>TSM-DEG14.47(II)</u>

Table of Content

1. DISCLAIMER OF LIABILITY	- 3 -
2. SAFETY PRECAUTIONS.....	- 3 -
3. UNPACKING AND STORAGE	- 3 -
4. PRODUCT IDENTIFICATION.....	- 4 -
5. ENVIRONMENTAL CONDITIONS AND SITE SELECTION.....	- 4 -
5.1 CLIMATE CONDITION	- 4 -
5.2 SITE SELECTION.....	- 4 -
6. MOUNTING INSTRUCTIONS—TRINA HOOK.....	- 4 -
6.1 COMPONENTS OVERIEW	- 4 -
6.2 MOUNTING METHODS	- 5 -
6.3 REMARKS OF INSTALLATION.....	- 6 -
7. MODULE WIRING	- 8 -
8. MODULE TILT ANGLE.....	- 8 -
9. MECHANICAL DRAWING OF PV MODULE.....	- 8 -
10. MAINTENANCE AND CARE	- 9 -
11. SPECIFICATIONS	- 9 -
12. BYPASS DIODES AND BLOCKING DIODES.....	- 9 -
13. WARNING	- 10 -
14. CHANGE HISTORY	- 10 -



1. DISCLAIMER OF LIABILITY

The installation, handling and use of Trina Solar Crystalline series modules are beyond company control. Accordingly, Trina Solar does not assume responsibility for loss, damage, injury or expense resulting from improper installation, handling, use or maintenance.

Trina Solar assumes no responsibility for any infringement of patents or other rights of third parties that may result from use of the module. No license is granted by implication or under any patent or patent rights.

Specifications included in this manual are subject to change without prior notice.

2. SAFETY PRECAUTIONS

1. When designing the PV system, please always take into consideration the variation of the voltage under different temperatures (please check the respective temperature coefficients of the modules, the Voc of the modules will rise when the temperature drops);
2. We require that every series PV module string should be fused prior to be connected with other strings. For the maximum fuse rate, please refer to the detailed SPEC in the last page.
3. Solar photovoltaic (PV) modules generate electricity when exposed to light. An array of many modules can cause lethal shocks and/or burn hazards. Only authorized and trained personnel should have access to the modules.
4. Use properly insulated tools and appropriate protective equipment to reduce risk of electric shock.
5. Do not stand or step on the module.
6. Do not damage or scratch the front or backside surfaces of the module.
7. Never use a module with broken glass or top substrate. Broken modules should not be repaired and contact with any module surface can lead to electrical shock.
8. Do not disassemble the modules or remove any part of the module.
9. Protect plug contacts against soiling and do not make any plug connections using soiled plug contacts.
10. Do not install or handle modules when they are wet or during periods of high wind.
11. Do not connect cable from the positive terminal to the positive terminal of one single PV module.
12. Make sure connectors have no gap between insulators. A gap can cause fire hazard and/or danger of an electrical shock.
13. Make sure that the polarity of each module or a string is not reversed relative to the other the modules or strings.
14. Artificially concentrated sunlight should not be used on the PV module.
15. In markets conforming to IEC standard, maximum system voltage must not exceed 1500V DC. In markets conforming to UL standard, maximum system voltage must not exceed 1000V DC. For roof use, the maximum system voltage must not exceed 600V according to National Electrical Code.
16. Under normal conditions, a photovoltaic module is likely to experience conditions that produce more current and/or voltage than reported at standard test conditions. The requirements of the National Electrical Code (NEC) in Article 690 shall be followed to address these increased outputs. In installations not under the requirements of the NEC, the values of ISC and VOC marked on this module should be multiplied by a factor of 1.25 when determining component voltage ratings, conductor ampacities, over-current device ratings, and size of controls connected to the PV output.
17. Our module application class is class A, modules rated for use in this application class may be used in systems operating at greater than 50V DC or 320W, where general contact access is anticipated.
18. Installation shall be in accordance with CSA C22.1, Safety Standard for Electrical Installations, Canadian Electrical Code, Part 1.
19. A module with exposed conductive parts is considered to be in compliance with IEC&UL 1703 only when it is electrically grounded in accordance with the instructions presented below and the requirements of the National Electrical Code.
20. Module achieved fire rating **Type 13** according UL1703 updated on 20th May 2014. And this fire rating of this module is valid only when mounted in the manner specified in the mechanical mounting instruction.
21. The system fire rating should be evaluated with roof cover and mounting racking.

3. UNPACKING AND STORAGE

1. Before installation, keep all modules and electrical contacts clean and dry.
2. If it is necessary to store modules temporarily, a dry, ventilated room should be used.
3. When unpacking, carry modules with both hands. Do not place modules on top of each other.
4. The double glass module is should be handle carefully, so non-slip gloves are required when handling and installation.
5. Please use the supporting removal tool when dismantling the plywood cases.

4. PRODUCT IDENTIFICATION

We recommend that you take note of the unique serial number on each module.

5. ENVIRONMENTAL CONDITIONS AND SITE SELECTION

5.1 CLIMATE CONDITION

Install Trina Solar Crystalline series modules in the following conditions:

- Ambient temperature: -40 °C to +40 °C
- Operating temperature: -40 °C to +85 °C
- Storage temperature: -20 °C to +40 °C
- Humidity: below 85RH%
- Mechanical Load Pressure*: 5400Pa Max from the front side, and 2400Pa from the rear.

* Mechanical load bearing (include wind and snow loads) of the module is based on Trina Solar mounting methods. A professional system installer must be responsible for the mechanical load calculation based on the system design.



5.2 SITE SELECTION

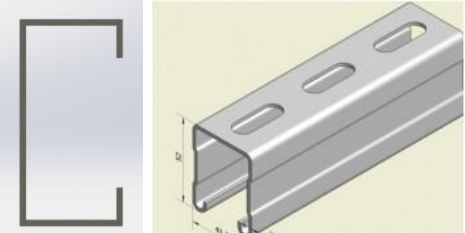
1. In most applications, Trina Solar PV modules should be installed in a location where they will receive maximum sunlight throughout the year.
2. Modules should not be shaded by buildings, trees, chimney, etc. at any time of the day.
3. Do not install in corrosive environments, such as beaches or landfill that can be easily flooded.
4. Do not install PV modules in a location where modules could be immersed in water or continually exposed to water from a sprinkler or fountain.
5. Do not install PV modules over naked flames or flammable materials.
6. Interspaces, the clearance between the module edge and surface of the wall or roof, of at least 115mm is required to prevent wiring damage and to allow air to circulate behind the module.

6. MOUNTING INSTRUCTIONS—TRINA HOOK

The module is considered to be in compliance with IEC&UL 1703 only when the module is mounted in the manner specified by the mounting instructions below. This mounting is using Trina Hooks, alternate mountings are available.


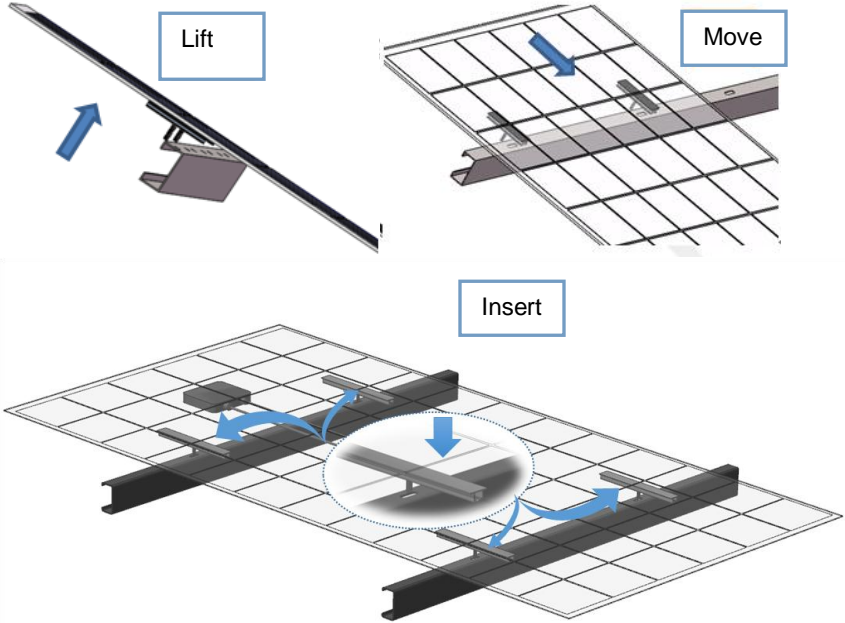
6.1 COMPONENTS OVERVIEW

These components are only for use in the installation example in this section		
Components Name	Overview	Description
M8/M10 Hexagon bolts, M8/M10 nut, Spring washer Material: SUS 304		Used to connect modules together
Hook Material: Aluminum alloy 6063		Used to connect module and Racking

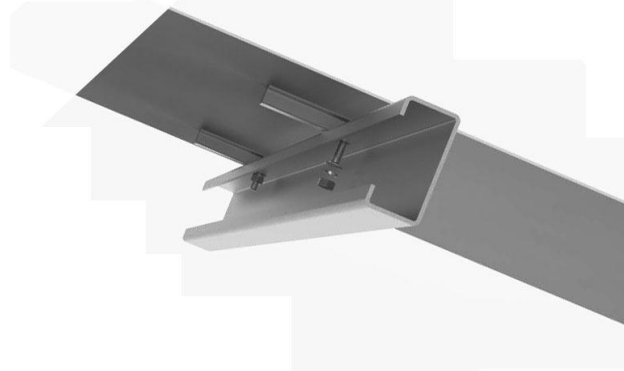
<p>Racking Material: Q235B (Supply By EPC or Racking suppliers)</p>		<p>With hook installation</p>
---	--	-------------------------------

6.2 MOUNTING METHODS

Please read this chapter in its entirety to familiarize you with the process before beginning the installation. Also, be sure that the site has been completely prepared before beginning the installation.

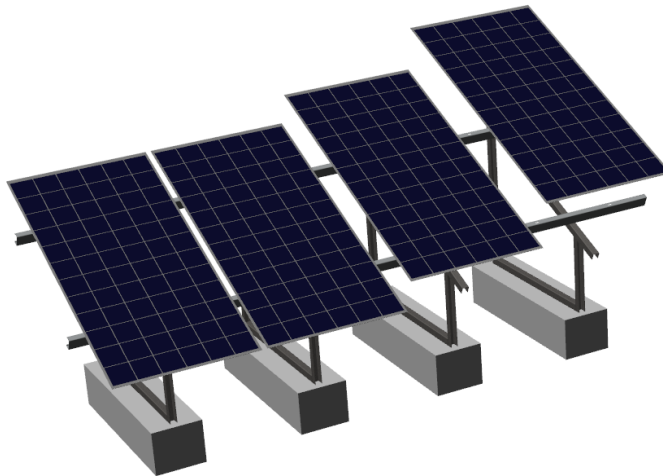
<p>STEP 1: Install the specified bolts</p>	
<p>Setting the specified bolts into the hook.</p>	
<p>STEP 2: Insert the bolt hole</p>	
<ol style="list-style-type: none"> 1. Lift up the module; ensure the bolt over the racking. 2. Aim the bolt to racking. 3. Insert the bolt hole 	
<p>STEP 3: Tighten the nut (M8:Tighten to a torque of 16~20N*m; M10: Tighten to a torque of 20~25N*m)</p>	

Tighten the nut.
(16N m~20N m)



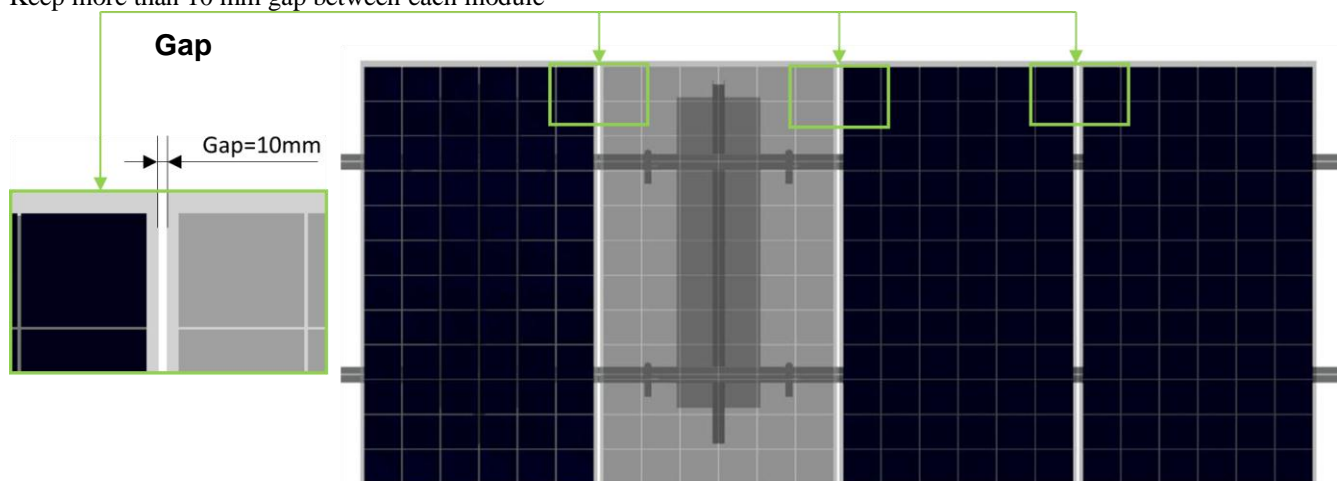
STEP 4: Install the module

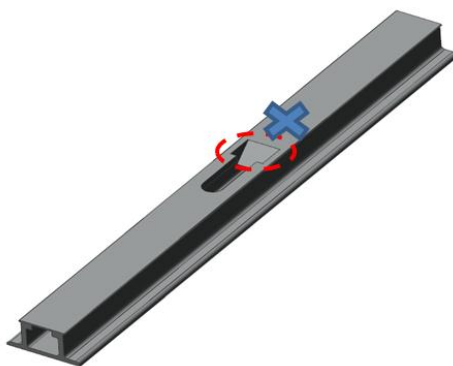
Repeat steps 1 ~ 3, install the module.



6.3 REMARKS OF INSTALLATION

Keep more than 10 mm gap between each module

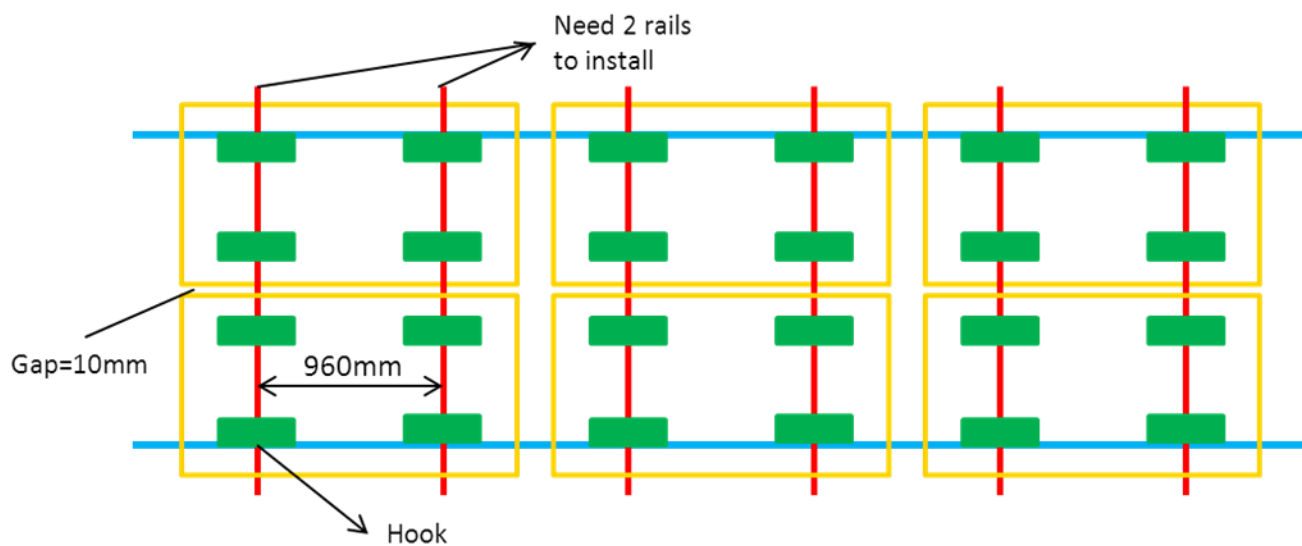




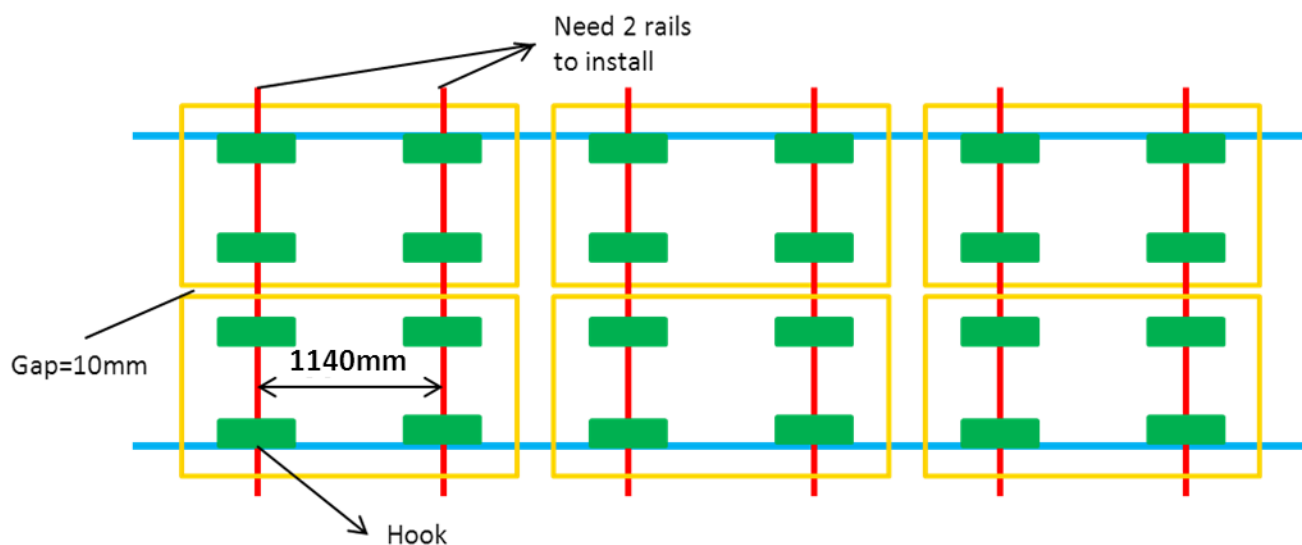
Note: Don't fix the hex bolts and nuts on head of the insert place. (As shown above)

Note: For PV module landscape installation, the supporting rails need change as shown in below;(add two rails)

For 60 cell Duomax module



For 72 cell Duomax module



Note: Please consult with Trina Solar engineers to confirm whether the rail match Trina hook or not.

7. MODULE WIRING

Each module has two 4mm² diameter type standard 90 °C sunlight resistant output cables each terminated with plug & play connectors. This cable is suitable for applications where wiring is exposed to the direct rays of the Sun. We recommend that all wiring and electrical connections comply with the appropriate national electrical code.

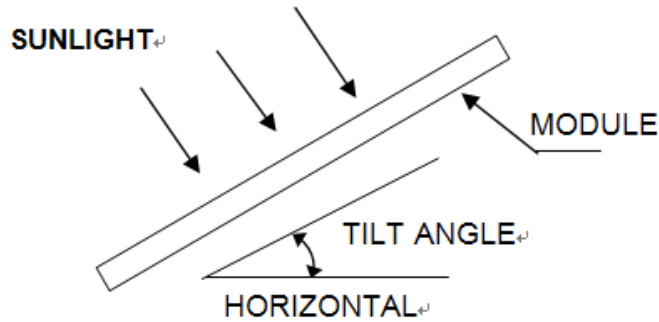
For field connections, use the minimum 4mm² diameter copper wires insulated for a minimum of 90 °C and Sunlight resistant as well.

The minimum and maximum outer cable diameters of the cable are 5 to 7mm. Refer to Datasheet Specifications for the maximum electrical rating of series fuse.

8. MODULE TILT ANGLE

Trina Solar PV modules connected in series should be installed at the same orientation and angle. Different orientation or angle may cause loss of output power because each module may be exposed to different amounts of solar irradiation.

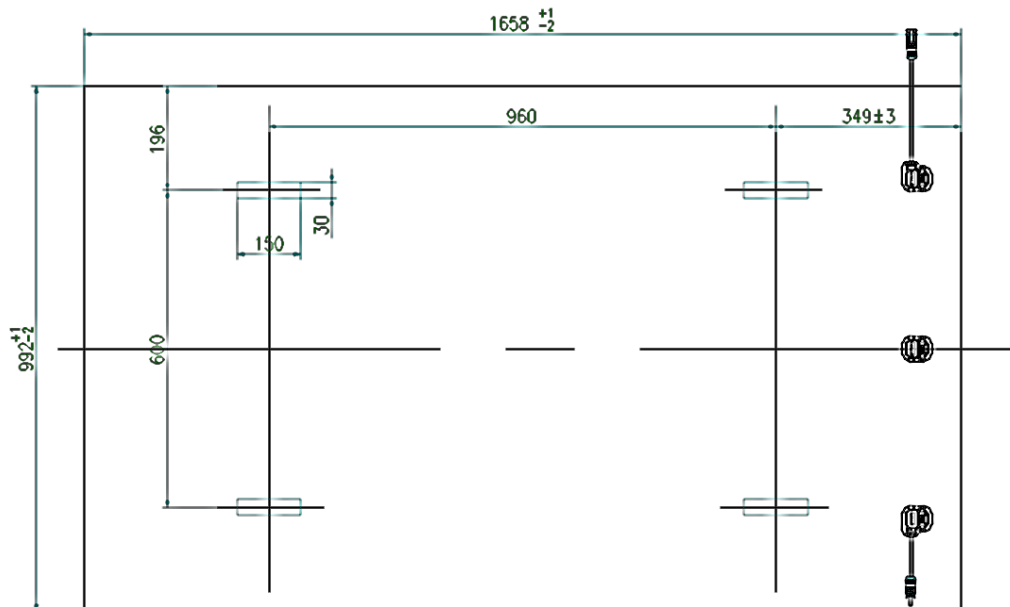
Trina Solar PV modules produce the most power when they are perpendicular to incoming sunlight. For installations where the PV modules are attached to a permanent structure, the PV modules should be tilted for optimum winter performance. The module tilt angle is measured between the solar modules and the ground. Optimal tilting of PV module is almost the same as the latitude of installation location.



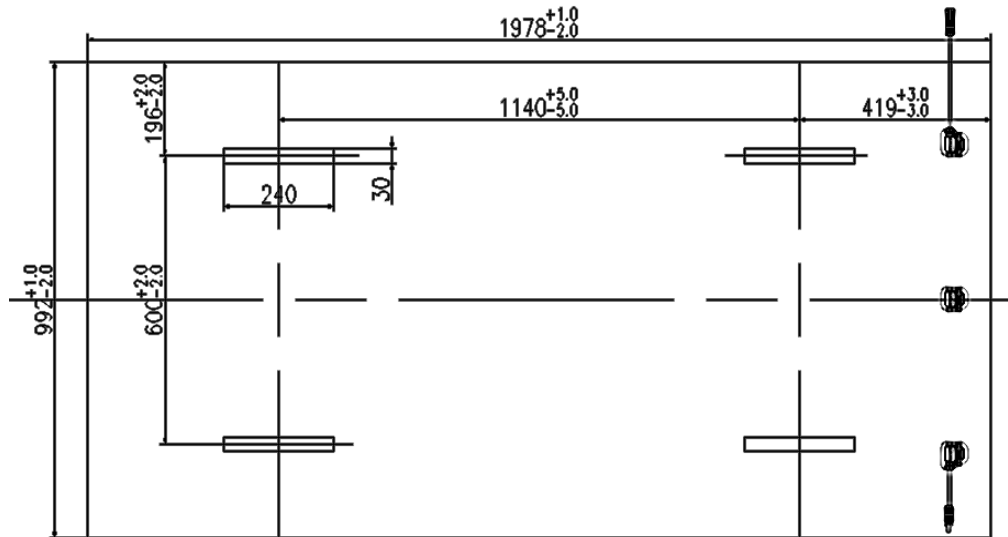
SPV module Tilt angle

9. MECHANICAL DRAWING OF PV MODULE

For 60 cell Duomax module



For 72 cell Duomax module



Note: All dimensions above are in mm units.

10. MAINTENANCE AND CARE

- Under most weather conditions, normal rainfall is sufficient to keep the PV module glass surface clean. If dust or dirt build-up becomes excessive, clean the glass only with a soft cloth using mild detergent and water.
- Do not clean the modules with cold water during the warmer hours of the day in order to avoid creating any thermal shock that may damage the module.
- At least once a year, it is recommended to check the torque of terminal screws and the general condition of wiring. Also, check that mounting hardware is properly torqued. Loose connections will result in damage of the array.
- Modules that are replaced must be the same type. Do not touch live parts of cables and connectors. Use appropriate safety equipment (insulated tools, insulating gloves, etc.) when handling modules.
- Cover the front surface of modules by an opaque material when repairing. Modules when exposed to sunlight generate high voltage and are dangerous.

Trina Solar is a member of the European PV Cycle Association. Through the pre-financed PV Cycle program, Trina Solar PV modules will be taken back and treated in an environmentally sustainable manner.

WARNING: For any electrical maintenance, the PV system must first be shut down. Improper maintenance can cause lethal electric shock and/or burns.

11. SPECIFICATIONS

For module specifications, please see the Datasheet included in the shipment carton and visit Trina Solar website www.trinasolar.com to get the datasheet of each product or the comprehensive product catalogue.

12. BYPASS DIODES AND BLOCKING DIODES

Partial shading of an individual module can cause a reverse voltage across the shaded PV module. Current is then forced go through the shaded area by the other modules. When a bypass diode is wired in parallel with the series string, the forced current will flow through the diode and bypass the shaded PV module, thereby minimizing module heating and array current losses.

Currently, Trina Solar PV modules are equipped with bypass diodes in the junction box. The diode type is SB3040DY, (rated 40V PIV minimum, 16A minimum, 3 provided). Do not try to open the junction box to change the diodes even if it malfunctions.

In a system that uses a battery, blocking diodes are typically placed between the battery and the PV module output to prevent battery discharge at night.

Diodes that are used as blocking diodes must have:

- Rated Average Forward Current [IF (AV)] above the maximum system current at the highest module operating temperature.
- Rated Repetitive Peak Reverse Voltage [VRRM] above the maximum system voltage at the lowest module operating temperature.

13. WARNING

These solar modules do not contain any user serviceable parts,

If you suspect that your installation is not working properly, then contact your installer immediately.

1. Contact your installer
2. Contact Trina Solar after sales service team at: <http://customerservice.trinasolar.com>
3. Submit the Customer Feedback form at: www.trinasolar.com, one of our technical service representatives will contact you as quickly as possible. A username and password is required to send feedback from the customer service link

WARNING: For any electrical maintenance, the PV system must first be shut down. Improper maintenance can cause lethal electric shock and/or burns.

14. CHANGE HISTORY

Installation Manual of Dual Glass (Hook 4x150/4x240)_20160414_Rev A